


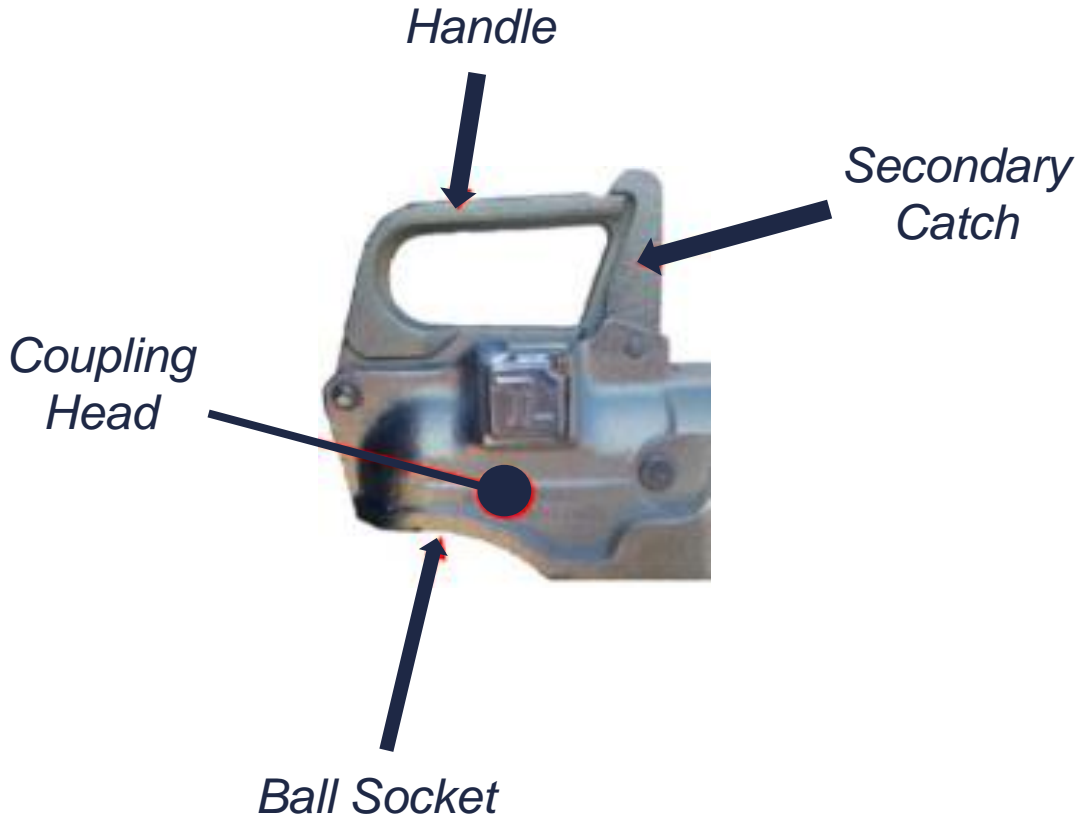


indespension

Connecting an Indespension TripleLock braked coupling to your vehicle.



Hitching your trailer to your vehicle



Before hitching your trailer to your vehicle, make sure then handle springs shut when released and the safety catch springs into position over the handle. There should also be no debris or obstructions in the coupling hitch. If in doubt, please contact your local Indespension branch.

IMPORTANT

It is the **drivers** responsibility to ensure that their trailer is well maintained and is correctly hitched up to the towing vehicle.

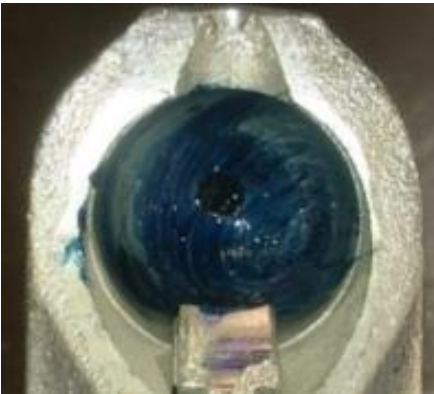
Hitching your trailer to your vehicle

01



Position the towball under the coupling head, checking the ball socket and towball for any debris.

02



Turn the coupling head over and ensure the ball socket is greased and free from debris.

03



*Push the secondary catch away from the handle and lift the handle.
For a locked coupling, insert the key, twist sideways and pull out the lock barrel then perform the above step.*

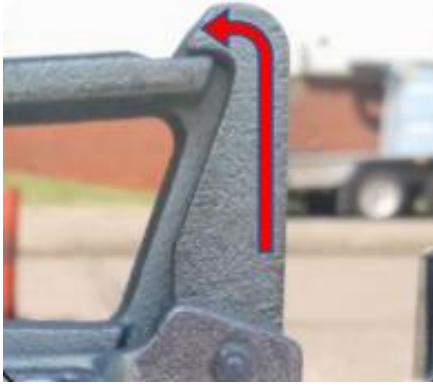
04



With the handle raised, wind the jockey wheel in order to lower the ball socket onto the towball then release the handle.

Hitching your trailer to your vehicle

05



Once released, ensure the secondary catch is locked in place securely **over** the handle.

06



Check underneath the coupling head and ensure the clamp is securely **under** the towball.

07



Inspect the breakaway cable for any damage. **Replace if damage is present.**

08



Ensure breakaway cable passes through the cable guide, is free from snags, and taut enough so it doesn't drag on the ground but has sufficient slack to allow the trailer articulate.

Hitching your trailer to your vehicle

09



Attach the breakaway cable to a permanent part of the towbar structure.

10



Ensure the handbrake is in the off position.

11



Wind the jockey wheel all the way up until fully retracted. Loosen the clamp handle and raise the jockey as high as possible and re-tighten the clamp.

12



Ensure the jockey does not interfere with the brake components.



indespension

Central Sales Team:

01204 478500

centralsales@Indespension.co.uk

