



indespension

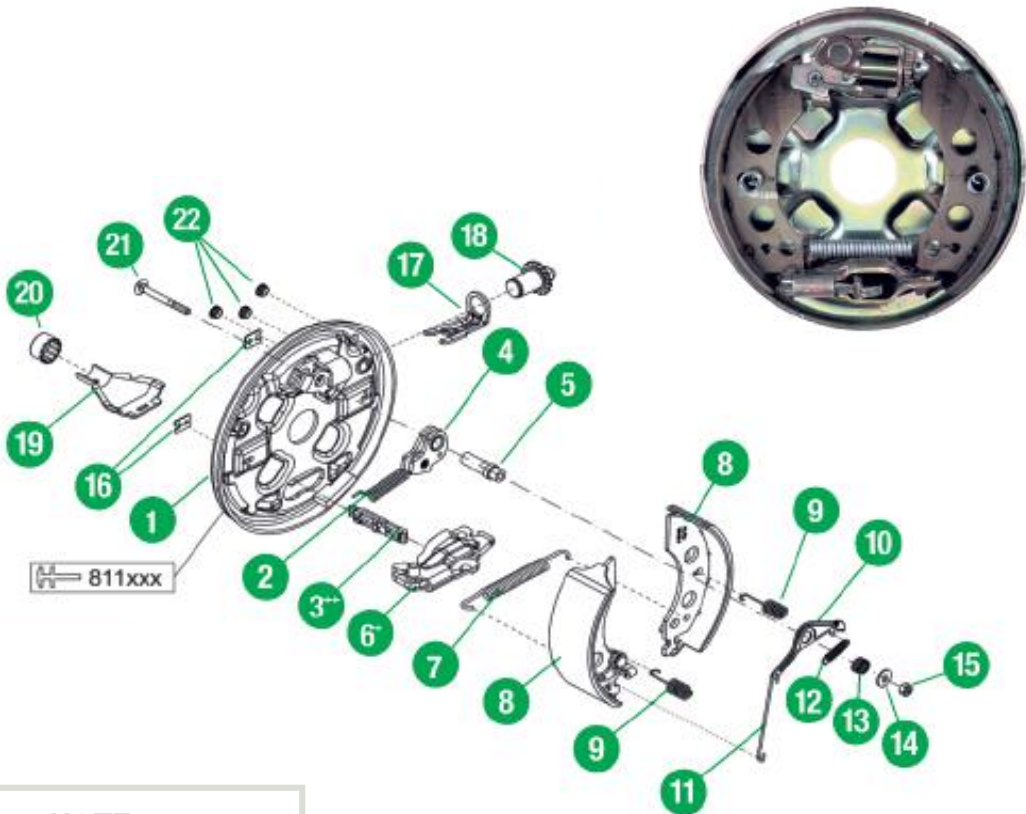
Indespension Brake Guide.



Introduction to Brakes

To improve the efficiency and safety of your trailer, it is imperative that you check your trailer's brakes and make any necessary adjustments to optimise their performance. You need to be able to rely on your trailers braking system for everyday use and of course, in emergency situations.

Indespension only provides quality parts to our customers. We will advise you of the best products to suit your requirements. Not sure which brakes you need? Our team of experts are happy to help, just give our Central Sales team a call on **01204 478 500**.



NOTE

Further AL-KO brake spares are available. Please ask for assistance when trying to identify these parts.

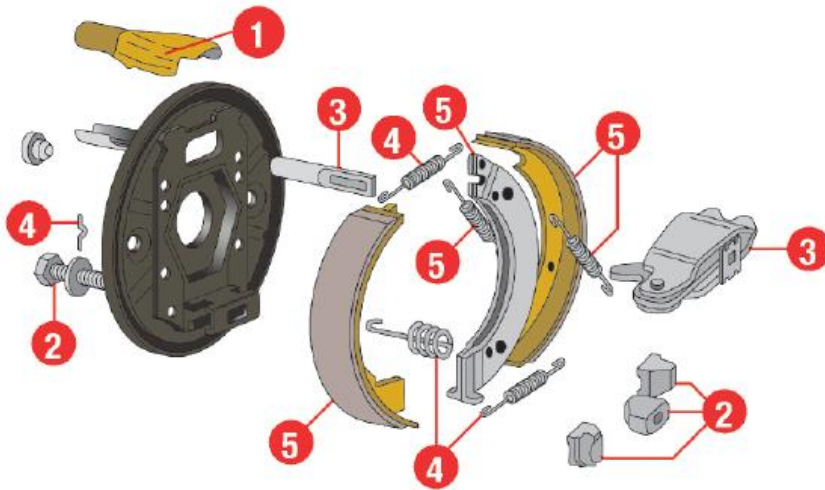
AL-KO Auto Adjustable Brakes

Brake Size		200x50mm	230x60mm
	Description	PART NO.	PART NO.
1	Complete Foundation Brake L/H	ISBR367 (45mm BORE)	ISBR369
		ISBR840 (52mm BORE)	
1	Complete Foundation Brake R/H	ISBR368 (45mm BORE)	ISBR370
		ISBR841 (52mm BORE)	
2	Tension Spring	ISBR178	ISBR178
3	Connection Eye	9165	9165
4	Auto Reverse Lever Left	ISBR047	ISBR047
4	Auto Reverse Lever Right	ISBR048	ISBR048
5	Bearing Bolt	ISBR373	ISBR373
6	Spread Hinge Lock Left	ISBR374	ISBR374
6	Spread Hinge Lock Right	ISBR375	ISBR375
7	Tension Spring	ISBR395	ISBR395
8	Brake Shoe Set (O.E)	ISBR371	ISBR372
9	Pressure Spring	ISBR396	ISBR396
10	Adjusting Lever L/H	ISBR378	ISBR382
10	Adjusting Lever R/H	ISBR379	ISBR383
11	Connection Wire	ISBR380	ISBR384
12	Tension Spring	ISBR381	ISBR381
13	Contact Pressure Spring	ISBR388	ISBR388
14	Washer	ISBR390	ISBR390
15	Hex Nut	ISBR389	ISBR389
16	Cover Plate	ISBR397	ISBR397
17	Bow Pressure Spring	ISBR392	ISBR392
18	Adjusting Screw & Nut L/H	ISBR376	ISBR376
18	Adjusting Screw & Nut R/H	ISBR377	ISBR377
19	Cup/Cover	ISBR024	ISBR024
20	Protective Cap	ISBR085	ISBR085
21	Carriage Bolt	ISBR393	ISBR394
22	Red Stopper	ISBR387	ISBR387

Standard AL-KO Brakes



	Brake Size	160x35mm	200x50mm	230x60mm
	Description	PART NO.	PART NO.	PART NO.
1	Cover	ISBR024	ISBR024	ISBR024
2	Adjuster Kit	ISBR026	ISBR027	ISBR027
3	Reverse Lever Left	ISBR031	ISBR047	ISBR047
3	Reverse Lever Right	ISBR032	ISBR048	ISBR048
3	Reverse Lever Spring	INC above	ISBR178	ISBR178
4	Expander Kit	ISBR035	ISBR037	ISBR037
5	Spring Kit	ISBR038	ISBR039	ISBR039
6	Shoes (set) O.E.	ISBR220	ISBR221	ISBR222
6	Shoes (set)	ISBR255	ISBR256	ISBR257



TOP TIP

To help with recognition on the back plate, the first two digits are the drum diameter (in cm) and the second two digits are the shoe width (in mm).



Brake Size	160x35mm	200x50mm	203x40mm	250x40mm
Description	PART NO.	PART NO.	PART NO.	PART NO.
1 Cover	ISBR001	ISBR002	ISBR002	ISBR002
2 Adjuster Kit	ISBR003	ISBR003	ISBR003	ISBR004
3 Expander Kit	ISBR005	ISBR006	ISBR006	ISBR006
4 Spring Kit	ISBR007	ISBR008	ISBR009	ISBR010
5 Shoes (set) O.E.	ISBR235	ISBR236	ISBR237	ISBR238



indespension

Central Sales Team:

01204 478500

centralsales@Indespension.co.uk

